

Product being installed: Beacon Outer Mount
Common Customer Assembly IL05114



Series 100



Series 200



Series 300



With 8", 2-wire harness



With 12' fused, straight cord
and ON-OFF switch

All Beacon lights:

- Series 100, 200, 300
- 12 and 24 VDC
- Amber, Green, Red, Blue, White color

Parts provided:

- Beacon light
- Outer mount assembly
- Mounting hardware
- Cord or wiring harness

Mounting Hardware:

- 6-M5 x 30mm Torx head Screw
- 3-M5 x 30mm Machine Screw
- 3-M5 Flat washer
- 3-M5 Hex nut
- 1-Grommet



Safety Message to Installers and Service Personnel

It is important to read and follow all instructions shipped with this product. In addition, listed below are some other important safety instructions and precautions you should follow:

- To be an effective warning device, this product produces bright light that can be hazardous to your eyesight when viewed at a close range. Do not stare directly into this lighting product at a close range or permanent damage to your eyesight may occur.
- Do not install the beacon in an area that would block, impair or blind the driver's vision. Ensure that the beacon is mounted in a position that is outside of the driver's field of vision, so the driver can safely operate the vehicle.
- Never attempt to install aftermarket equipment that connects to the vehicle wiring without reviewing a vehicle wiring diagram available from the vehicle manufacturer. Ensure that your installation will not affect vehicle operation or mandated safety functions or circuits. Always check the vehicle for proper operation after installation.
- Proper placement and installation are vital to the performance of this warning device. Install this product so that output performance of the system is maximized, and the controls are placed within convenient reach of the operator so that he/she can operate the system without losing eye contact with the roadway.

WARNING: LIGHT HAZARD: This product contains high intensity LED's. To prevent permanent eye damage DO NOT look directly into the light beam at close range.

Mounting the Beacon to a Vehicle:

1. Select the desired location on a flat surface for the Beacon to be mounted (Fig 1). The visibility of the flash and access to wiring should be considered in the selection of the mounting location. See Figure 1.
2. The Beacon has 2 wiring harness options. A hidden harness or an exposed cord (Fig2).

Figure 1

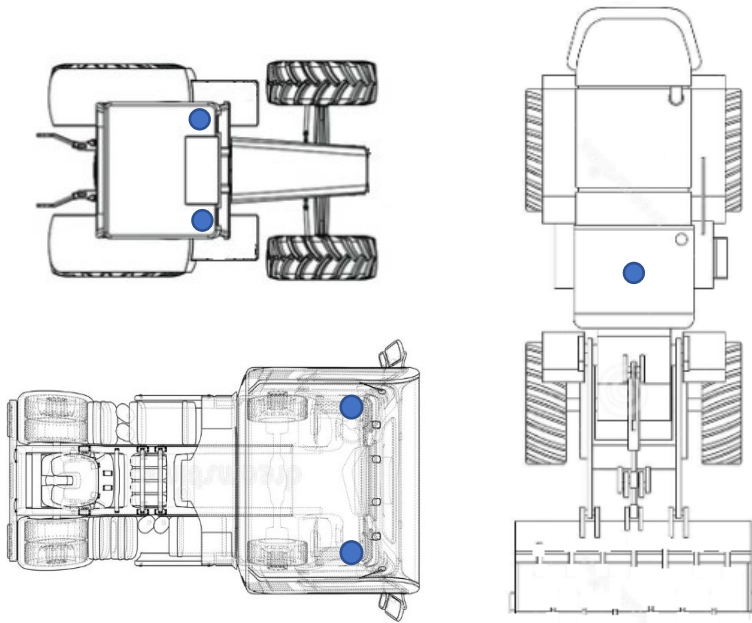
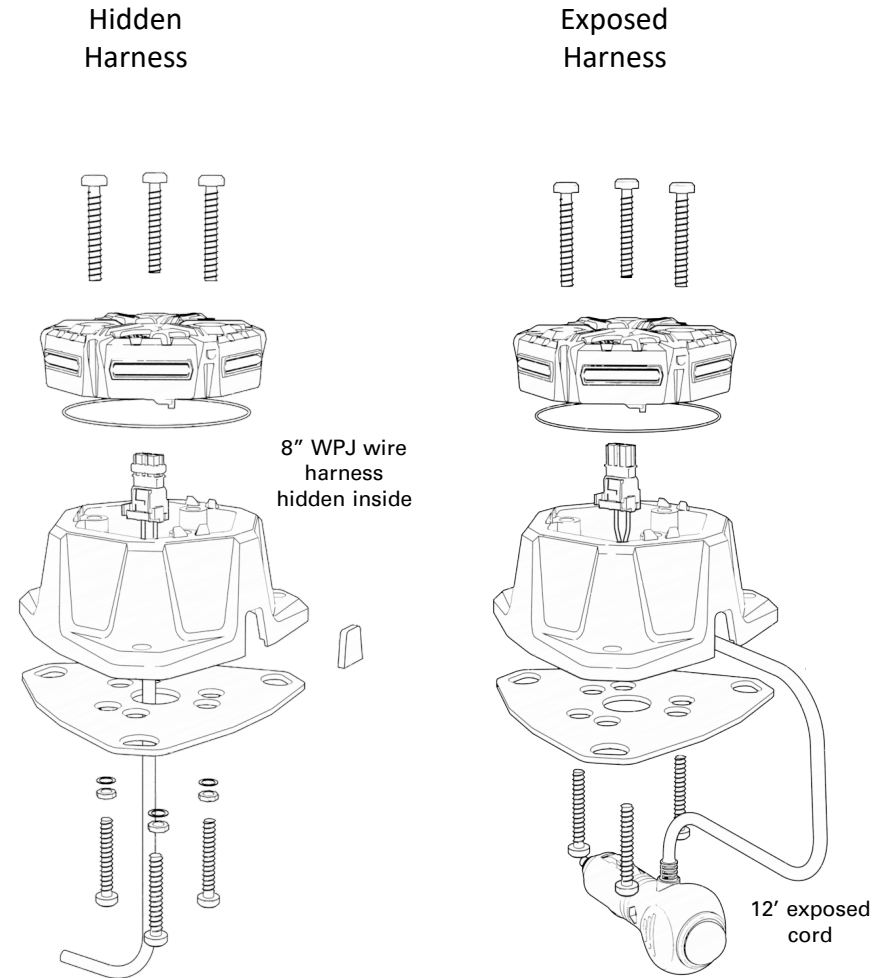


Figure 2



Mounting the Beacon to a Vehicle:

3. Mark hole locations. Use the gasket as a hole template shown in Figure 3. Make note of where the grommet location is for the exposed cord. Place the gasket on the desired vehicle mounting location. Mark the mounting hole locations. Mark the center hole if using a hidden wiring harness.

CAUTION: When drilling into any vehicle surface, make sure that the area is free from any electrical wires, fuel lines, upholstery, etc. that could be damaged.

4. Drill 3 mounting holes. Use the drill bit size shown in Figure 3.
5. If a hidden wiring harness is used, drill center hole for connector body clearance and wire access. Use the drill bit size shown in Figure 3.
6. Install the grommet.
 - a. For hidden harness (Fig 4) : Snap the grommet into the opening.
 - b. For exposed cord (Fig 5): Snap the grommet on the 12' cord into the riser.
7. Install the gasket (Fig 6). Peel the backer off the gasket. Align the holes in the gasket to the holes in the riser. Stick the gasket onto the bottom of the riser.
8. Fasten the riser to the vehicle (Fig 7). Use the 3 5 x 30mm machine screws, nuts and washers provided. Tighten to 4 N-m (35.4 in-lbs) +/- 10%.

Figure 3

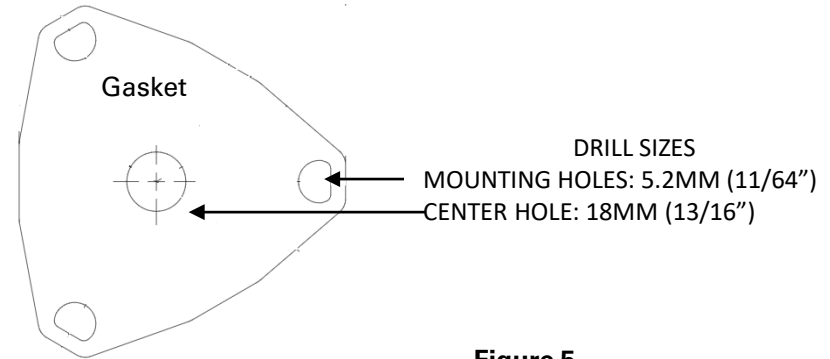


Figure 4

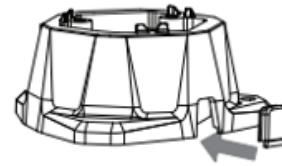


Figure 5

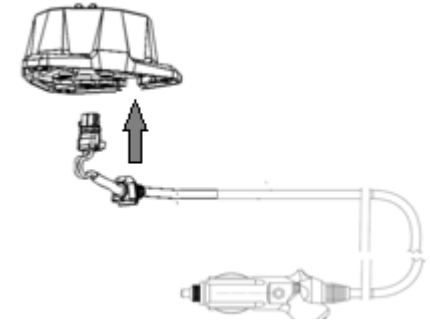


Figure 6

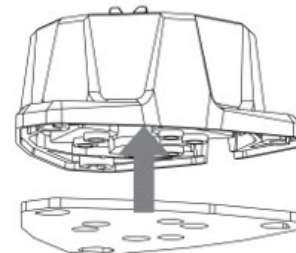
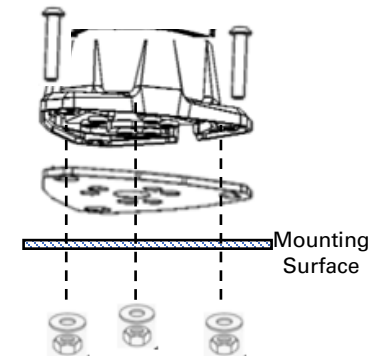
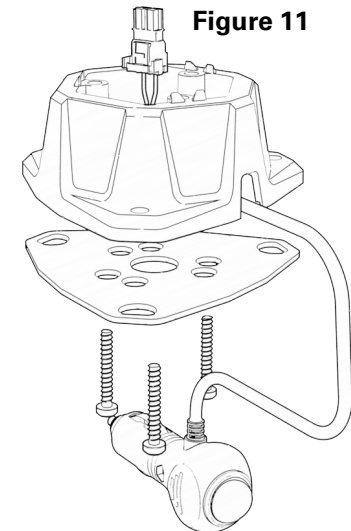
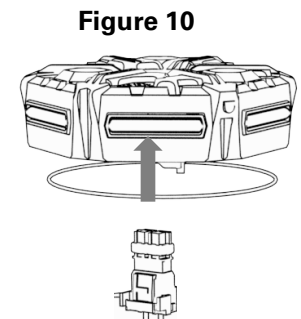
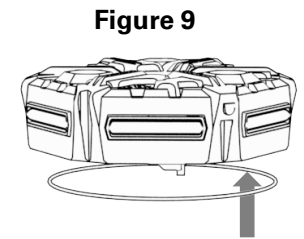
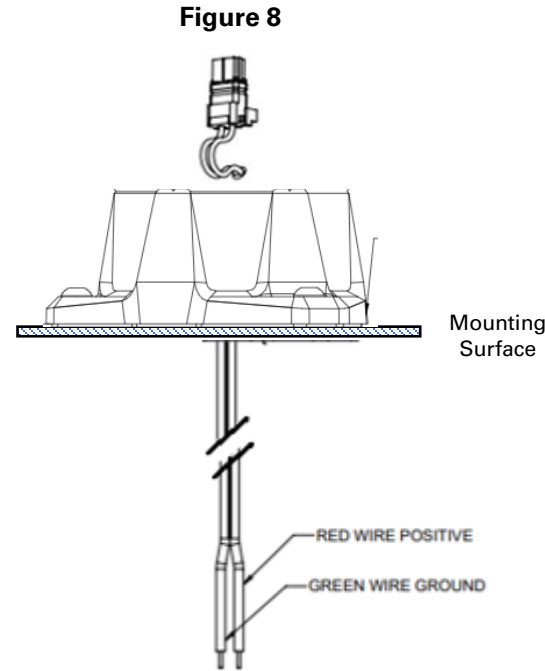


Figure 7



Mounting the Beacon to a Vehicle:

6. For Hidden wiring harness, connect the power wires as shown in Figure 8 to the vehicle's electrical system. Red wire to positive, Green wire to Negative (Fig 8).
7. Attach the Beacon light:
 - a. Verify the O-ring is assembled into a groove on the bottom of the Beacon (Fig 9).
 - b. Plug the wire harness into the Beacon. Push the connector in until it snaps in place (fig 10).
 - c. Attach the Beacon to the riser (Fig 11). Use the 3-5 x 30mm, Torx head, self tapping screws provided. Tighten to 1.8 N-m (15 in-lbs) +/- 10%.
8. For the hidden harness, installation is complete. Inspect the Beacon to ensure it is securely fastened to the vehicle. Test the Beacon by applying power and verifying it starts flashing.
9. For the exposed cord: Route the 12' cord along and inside the vehicle. Secure the cord to the vehicle. Plug the connection into the vehicle's cigarette lighter socket. Installation is complete. Inspect the Beacon and the cord to ensure they are securely fastened to the vehicle. Test the Beacon by applying power and verifying it starts flashing.



NOTE: Related product information can be found at www.innotecgroup.com/LED-Beacon-Light

WARNING: LIGHT HAZARD: This product contains high intensity LED's. To prevent permanent eye damage DO NOT look directly into the light beam at close range.