

Penny Light

Built with BoardFree® Technology

INNOTEC

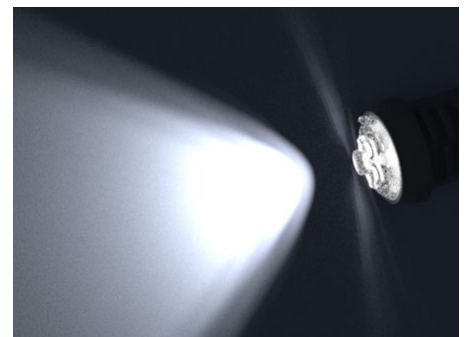


DURABLE LED LIGHTING

Our penny light is powered by BoardFree® technology. Built without a circuit board that makes its over-molded design possible, we are able to offer one of the most durable and versatile lights on the market. Water, corrosion, vibration, and impact resistance means this LED light is built to last.

Features:

- Fully sealed electronics
- Shock and vibration resistant
- Corrosion resistant
- Built-in mounting grommet
- Easy installation



Our advanced built-in optics place light where you need it



FLEXIBILITY OF DESIGN

Our Penny light platform offers the versatility and design flexibility to fit many lighting applications. Choose from the options below to build a lighting solution that is right for you.

Choose connector style:

Flying leads



Bullet connectors



Molded connector



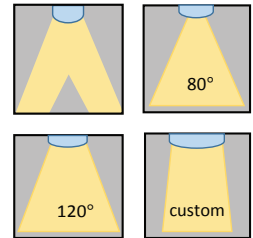
*Custom grommet design available

Choose LED color:

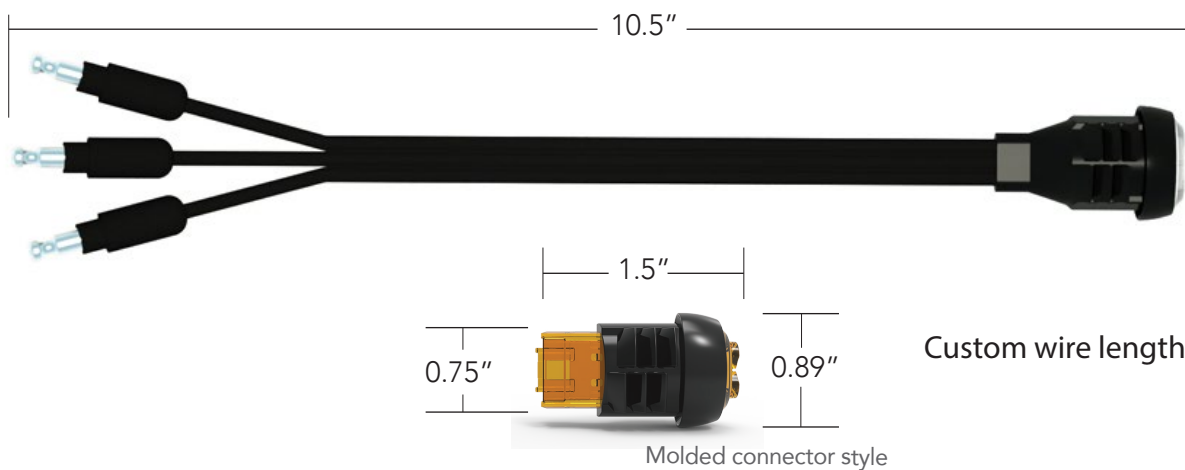
LED color options

- Amber
- Red
- White
- Blue

Choose Optics:

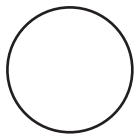


Dimensions:



Installation:

Drill 3/4" hole in mounting location



Design to easily mount by pressing into a 3/4" hole of at least 1/8" material

Built-in strain relief to reduce wire fatigue at bends



Product Data:

Voltage	Rating	Draw	Color	Material	Lumens	Certification
9-15 DC	PC2/IP67	15-25 mA	Multiple	Acrylic	18-50	SAE