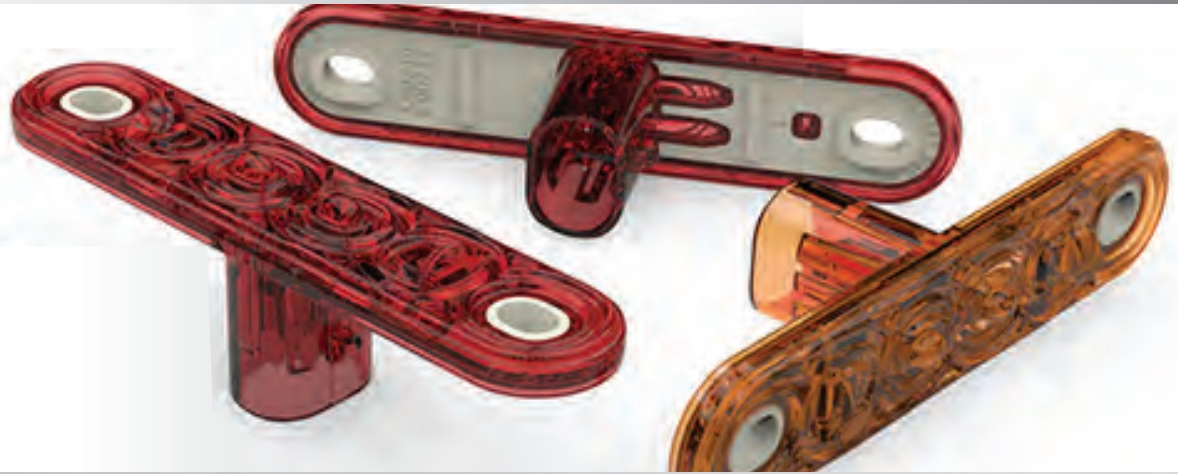


LOW PROFILE MARKER / CLEARANCE LIGHT SAE PC2



3.5" LED Low Profile Meets SAE PC2

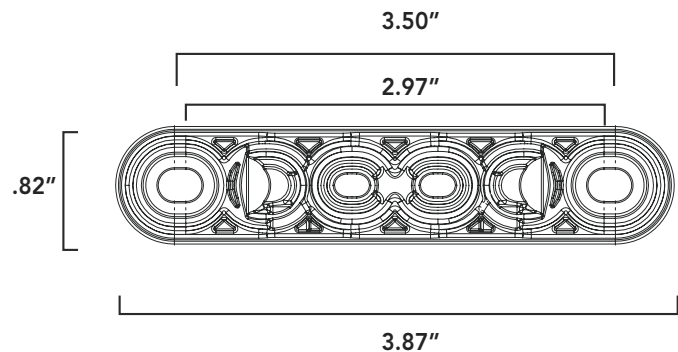


LED SIGNAL LIGHTING

Innotec's Low Profile 3.5" LED Marker / Clearance Lights with BoardFree® technology have a bold, sleek design that is brighter, thinner, and more rugged than any other tail light on the market. Our patented technology produces a streamlined, thin profile for flexible surface mounting. The design minimizes additional components, eliminates opportunities for damage, and reduces weight. The robust composite material constructed of ABS and PMMA creates a sealed housing that provides superior protection from harsh chemicals, impact, water, and corrosion.

PRODUCT FEATURES

- Impact, water, UV, and chemical resistant
- Fully sealed construction
- Highest impact resistance in the industry
- Meets SAE PC2 standards for marker / clearance lights
- Sealed and greased 2 Pin AMP connector
- Slotted low stress mounting holes (0.196" dia.)
- Meets FMVSS 108



Light Connects to
2 Pin AMP Connector

PRODUCT DATA

Voltage	Current	Color	Connector	Material	FMVSS Rating
12V / 6V	.10 A / .03 A	Amber/Red	2 Pin Amp	ABS / PMMA	PC