

LICENSE PLATE LIGHT



3.5" LED License Plate Light with L Rating

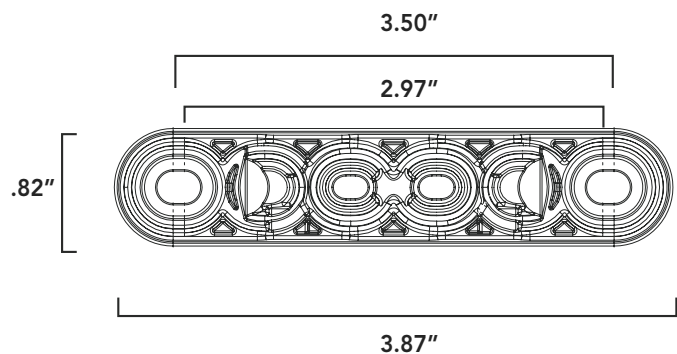


LED SIGNAL LIGHTING

Innotec's 3.5" LED license plate light with BoardFree® technology have a bold, sleek design that is brighter, thinner, and more rugged than any other tail light on the market. Our patented technology produces a streamlined, thin profile for flexible surface mounting. The design minimizes additional components, eliminates opportunities for damage, and reduces weight. The robust composite material constructed of ABS and PMMA creates a sealed housing that provides superior protection from harsh chemicals, impact, water, and corrosion.

PRODUCT FEATURES

- Impact, water, UV, and chemical resistant
- Fully sealed construction
- Shock and vibration proof
- Meets SAE L standards for license lights
- Sealed and greased 2 Pin Amp Connector
- BoardFree® technology with 4 LEDs
- Slotted low stress mounting holes (0.196" dia.)



Light Connects to
2 Pin AMP Connector

PRODUCT DATA

Voltage	Current	Color	Connector	Material	FMVSS Rating
12V	.10 A	Clear	2 Pin Amp	ABS / PMMA	L (top & side)